



BioVitality

PORTABLE INFRARED SAUNA



FOR MORE HELP CONTACT US AT
HELLO@BIOHACKERSMARKET.COM

USER MANUAL

GUIDELINES

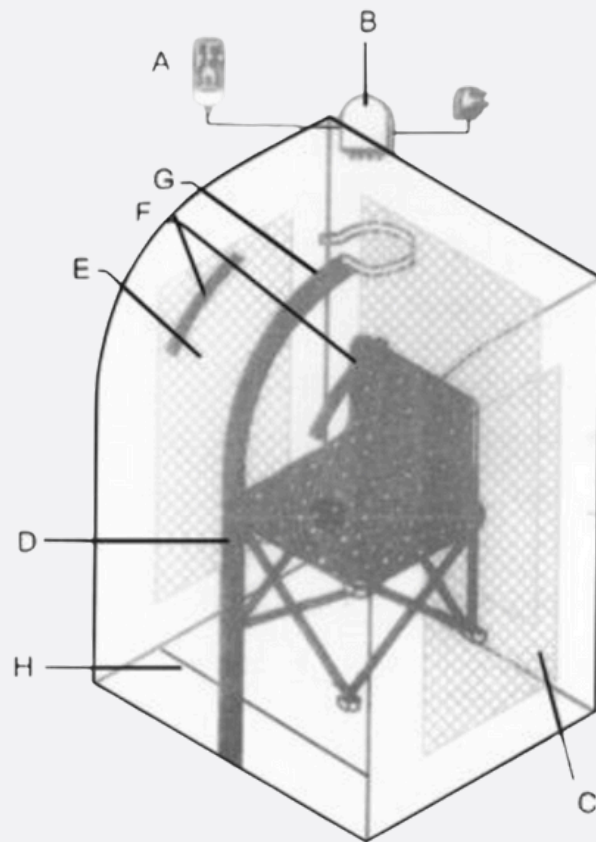
- Pull out the power plug after every use.
- Make sure the electric wire is far from the heating resources.
- Stop using immediately once the wires or plugs are damaged.
- Don't pull the electric wires with too much force.
- Any repairments should be operated by the professional personnels.

TECHNICAL INFORMATION

Function/ Style	Heating resource	Specialty	Noise	Deficiency after using	Time for folding and unfolding	Places for using
FIR Sauna	High tech super thing heating panel	Far infrared spectrum	Without	Dry, easy to clean	1 minute	Bedroom or lounge
Steam Sauna	Normal stea,	Without	With	Moise, fungal, hard to clean	Over 15 minutes	Bathing room

Model	DDIS-07
Power supply	AC220V/50HZ () AC110/50HZ () AC230V/60HZ()
Steam Sauna	600W
Inside temperature	40-70°C 1-5 grade to adjust temperature
Safety measures	overheating temperature protection
Time	5-40minutes
Dimensions when unfolding	H: 80, W:70, L:80 CM
Dimensions when folded	H:70, W:12, L:100 CM
Weight	10KG
Power consumption	Low

COMPONENTS



A	Controller
B	Power controll box
C	Far infrared heating panel
D	Foldable chair
E	Far infrared heating panel on both sides
F	Easily touchable zip
G	Zip for sauna box entrance and exit
H	Supporting board

CONTROLLER



1	Open electrical source, when TME show 40minutes (default). TheTEMP will show one file (default)
2	The temp have one to six file in all. there into third file is middle temperature, the commonly we make use of the sizth file in winter.
3	The TIME: 0 - 40 minute. Control go up or down on the arrowhead can add or reduce 5 minutes

USER GUIDE

1	When fit or fold pervent caspate thing stick far infrared sauna room
2	Open up sauna room let far infrared fever heat prick up
3	Put control into forging of bag
4	Hold bottom of slide fastener from back to front
5	If you use it, put pucker chair into sauna room

MAINTENANCE

Clean and conservation of sauna room

- Open slide fastener let it air in order to shed surplus heat
- Use wet cloth to wipe up, and afterwards you can fold the sauna